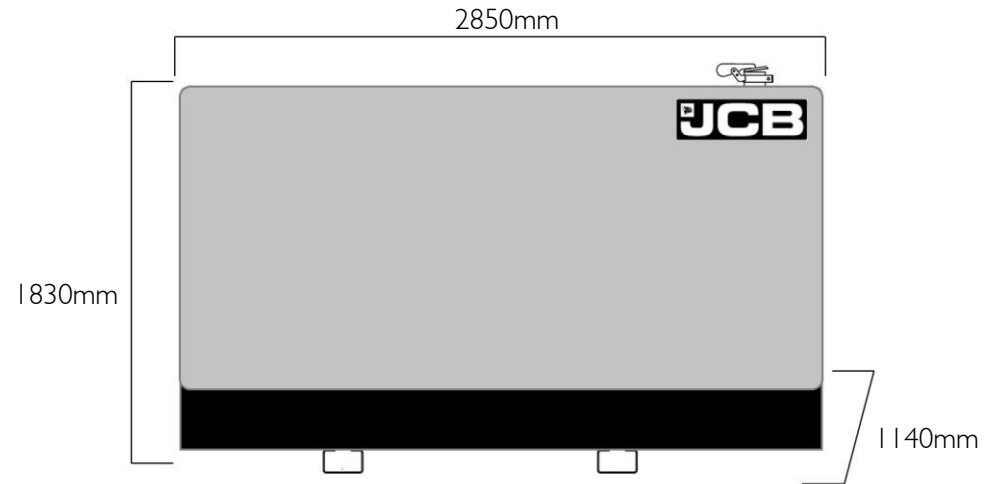


G90QS | Canopy Set

PRIME KVA: 81.30 | STANDBY KVA 89.60



DIESEL GENERATOR

FUEL OPTIMISED

ELECTRICAL

Frequency (Hz)	Phases	Voltage (V)	Prime		Standby		MCB Rating (A)	Minimum ATP Rating (A)	Rated Speed (RPM)
			kVA	kW	kVA	kW			
50	3	400/230V	81.30	65.00	89.60	71.70	125.00	125.00	1500
60	3	380/220V	89.30	71.40	98.80	79.00	160.00	160.00	1800
60	3	220/127V	89.30	71.40	98.80	79.00	250.00	250.00	1800
60	3	480/277V	89.30	71.40	98.80	79.00	160.00	160.00	1800

POWER FACTOR

3 Phase	0.8
1 Phase	1

MAXIMUM LOAD IMPACT*

kVA	80.00
kW	64.00

*With 20% voltage and 10% frequency deviation @ 50Hz, 400V

ALL RATINGS ARE TO STANDARD REFERENCE CONDITIONS ISO 8528

Prime: This rating is for the supply of continuous electrical power, at variable load, in lieu of commercially purchase power. There is no limitation on the annual hours of operation and 10% over load power can be supplied for 1 hour in 12.

Standby: This rating is for the supply of continuous electrical power, at variable load, in the event of a utility power failure. No overload is permitted.

Stage IIIa models are only emissions compliant at 50Hz Prime Power in accordance with 97-68EC.

G90QS | Canopy Set

PRIME KVA: 81.30 | STANDBY KVA: 89.60



CANOPY/SKID

Lockable Maintenance Access Doors	●
Control Panel Viewing Window	●
Fork Pockets	Δ
Single Lift Point	Δ
Bunding	Δ
Open Frame	x
High Density Fire Retardant Foam	●
Yellow Paint	●
White Paint	Δ
Standard: ● Not Available: x Optional: Δ	

ALTERNATOR HM250A1

Poles	4
Winding Connections	Star
Insulation	Class H
Enclosure	IP23
Exciter System	Self-regulating brushless
Voltage Regulator	AVR
Steady State Voltage Regulation	+/- 1.0%
Bearing	Single bearing sealed
Coupling	Flexible disc
Cooling	Direct drive centrifugal blower fan
Coating	Winding Protection Grey

STARTING SYSTEM

Starter Motor	kW	4.20
Battery Capacity	Ah	120 20
Number of Batteries		1
Auxiliary Voltage	V	12

ENGINE

1500 RPM		
Output Rating (PRP)	kW	81.00
Output Rating (Standby)	kW	89.10
1800 RPM		
Output Rating (PRP)	kW	90.00
Output Rating (Standby)	kW	99.00
Manufacturer and Model		JCB GTC-2
Fuel		Diesel
Injection		Direct
Aspiration		Turbo Charged
Cylinders		4
Bore and Stroke	mm	103x 132
Displacement	L	4.399
Cooling		Water
Engine Oil Specification		API CH4
Compression Ratio		17.5 : 1
Engine Oil Capacity	L	14.00
Coolant Capacity	L	16.00
Governor		Mechanical
Air Filter		Two stage with restriction indicatorSingle paper element
Engine Oil Consumption	100% Load	0.1% of fuel consumed
FUEL SYSTEM		
Diesel Specification		EN590
Standard Fuel Tank Capacity	L	285

G90QS | Canopy Set

PRIME KVA: 81.30 | STANDBY KVA 89.60



FUEL CONSUMPTION

100% Load Prime	L/h	50Hz	18.70
75% Load Prime	L/h		14.30
50% Load Prime	L/h		10.20
100% Load Standby	L/h		20.10
100% Load Prime	L/h	60Hz	23.40
75% Load Prime	L/h		17.80
50% Load Prime	L/h		13.00
100% Load Standby	L/h		25.20

EXHAUST SYSTEM

Maximum Temperature 100% Standby	°C	50Hz	542.00
Exhaust Gas Flow 100% Standby	m ³ /min		0.50
Maximum Allowed Back Pressure	mbar		100.00
Maximum Temperature 100% Standby	°C	60Hz	547.00
Exhaust Gas Flow 100% Standby	m ³ /min		487.00
Maximum Allowed Back Pressure	mbar		100.00
Exhaust Flange Size	mm	-	

AIR SYSTEM

Intake Air Flow 100% Standby	m ³ /h	50Hz	367.00
Total Cooling Air Flow 100% Standby	m ³ /s		198.00
Alternator Fan Airflow	m ³ /s		-13.00
Intake Air Flow 100% Standby	m ³ /h	60Hz	-463.00
Total Cooling Air Flow 100% Standby	m ³ /s		198.00
Alternator Fan Airflow	m ³ /s		-13.00

SOUND PRESSURE (CANOPY ONLY)

LpA (7m)	50Hz	dB(A)	66
LpA (7m)	60Hz	dB(A)	-

MECHANICAL FEATURES

Cooling Pack	●
Air Filter	●
Mechanical Governor	●
Low Oil Pressure Switch	●
Coolant Temperature Sender	●
Oil Temperature Sender	●
Radiator Guards	●
Hot Component Guards	Δ
Manual Oil Drain Pump (Canopy)	Δ
Water Jacket Heater	Δ
Pre-Filter with Separator	●
Fuel Level Sender	●
Internal Fuel Fill (Belly Tank)	●
3 Way Fuel Valve	Δ
Residential Silencer	●
Industrial Silencer	x

Standard: ● Not Available: x Optional: Δ

G90QS | Canopy Set

PRIME KVA: 81.30 | STANDBY KVA 89.60



ELECTRICAL FEATURES

AVR DSR	●
AVR DER	x
Winding Protection Standard	x
Winding Protection Standard +	x
Winding Protection Grey	●
Winding Protection Total	Δ
Winding Protection Total +	Δ
MAUX	●
PMG	Δ
Anti-Condensation Heater	Δ
3 Pole Moulded Case Circuit Breaker	●
4 Pole Moulded Case Circuit Breaker	Δ
Earth Leakage Protection (Shunt Trip)	Δ
Preparation for Earth Spike	●
Optional Voltages	Δ
Remote Screen	Δ
Emergency Stop Button	●
External Emergency Stop Button	●
Standard: ● Not Available: x Optional: Δ	

BATTERY FEATURES

Battery Isolator	Δ
Battery Type	Lead Acid
Battery Size (Ah)	120
Number of Batteries	1
Battery Charger	Δ
Standard: ● Not Available: x Optional: Δ	

JCB COMMUNICATION AND CONTROL

4510	x
4520	●
Standard: ● Not Available: x Optional: Δ	

WEIGHT AND DIMENSIONS

Length	mm	2850
Width	mm	1140
Height	mm	1830
Shipping Volume (sea ready)	m ³	5.32
Weight*	Kg	1590.00

*Standard build with all fluids except fuel

OPTIONAL CE PACK

EMC Certification	●
Hot Guards	●
Belt Guards	●
Earth Leakage Relay	●
Sound Power Decal	●
EU Declaration for Engine Emissions	●
Complete Machine Declaration of Conformity	●
Standard: ● Not Available: x Optional: Δ	

REFERENCE STANDARDS

JCB Generators are CE certified and conform to the following Directives (subject to a country requiring such standard):

- EN 12100, EN13857, EN60204
- 2006/42/CE Machinery safety
- 2006/95/EC Low voltage
- 2004/108/CE Electromagnetic compatibility
- 2000/14/EC Sound Power Level (amended by 2005/88/EC)
- 97/68/EC Emissions(amended by 2002/88/EC & 2004/26/EC)
- Power according to ISO 8528 and ISO 3046
- Ambient reference conditions 1000mbar, 25°C, 30% relative humidity ISO3046

Information based on standard specification equipment unless otherwise stated.